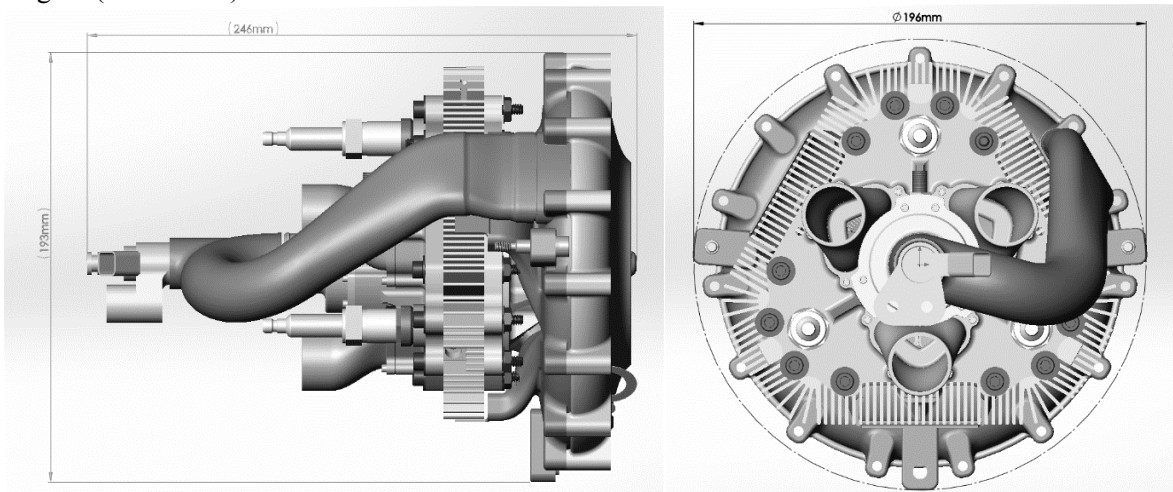


Quotation for XMv3 Test Kit for Evaluation

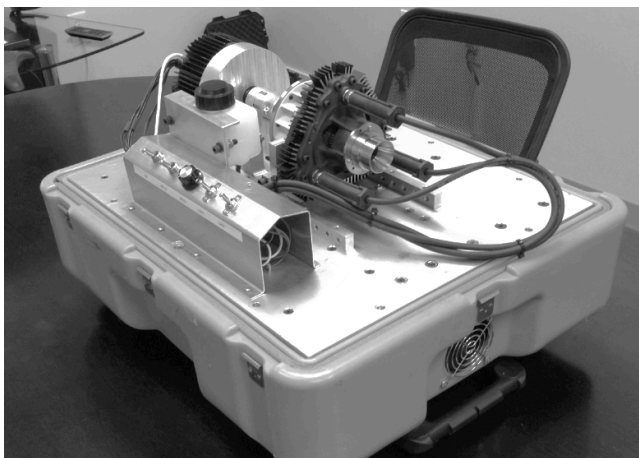
Item	Cost	Description	Lead Time
Complete Engine w/ dyno mount	\$30,000	Ready to run on a self-starting dyno (5000 RPM). ECU for fuel and spark not included. Throttle not included.	10 weeks
Programmable ECU, wiring harness	\$2,000		10 weeks
Working development Fuel and Ignition Maps. With throttle hardware.	no charge	Liquid Piston will provide updated software at no charge, as available	
Mobile Dynamometer with controller and simple DAQ	\$25,000	Self-starting, breadboard generator / dynamometer which dissipates power through resistors	16 weeks
LPI Development Engineer Support	\$125/hr	travel expenses not included	
LPI Director of Engineering Support	\$175/hr	travel expenses not included	

Engine (line item 1)



Mobile Dyno (line item 4)

Engine Specifications



Displacement	23cc/chamber, 70cc total
Fuel	50:1 Gasoline: Oil Mixture
Compression Ratio	9.2:1
RPM	3,000 to 9,000 (up to 15K)
Dry Weight	7.3 pounds (as pictured) 4 pounds without shrouds
Peak Brake Efficiency	18% @5,000 RPM
Peak Brake Power	3 horsepower @10,000RPM
Fueling	1 port fuel injector
Spark	3 sparkplugs, control by ECU



LiquidPiston, Inc.
1292A Blue Hills Ave., Bloomfield, CT 06002
Phone: (860) 838-2677; Fax: 815-301-9481

Engine is for evaluation / research purposes only. The engine is not emissions tested or certified. No warranty is given or implied. The engine is not for resale without permission from the company. The purchaser agrees not to reverse-engineer the engine. The purchaser agrees that any intellectual property that results of any development on the engine will belong jointly to LiquidPiston. The purchaser will promptly notify LiquidPiston of potential developments / IP that apply in the engine, and will work with LiquidPiston to secure this IP.

The times quoted and specifications quoted are best available estimates, and LiquidPiston will make a best effort to meet or exceed these times and specifications.

The engine is being supplied for evaluation, and potential application integration / testing. If it is valuable for LiquidPiston to assist, we will be happy to help on an as-available consulting basis, under mutually agreed to terms.